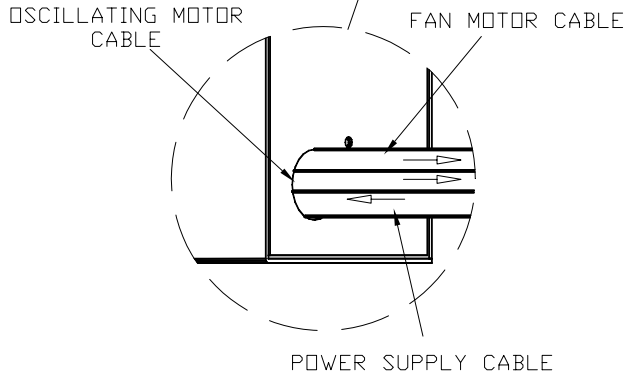


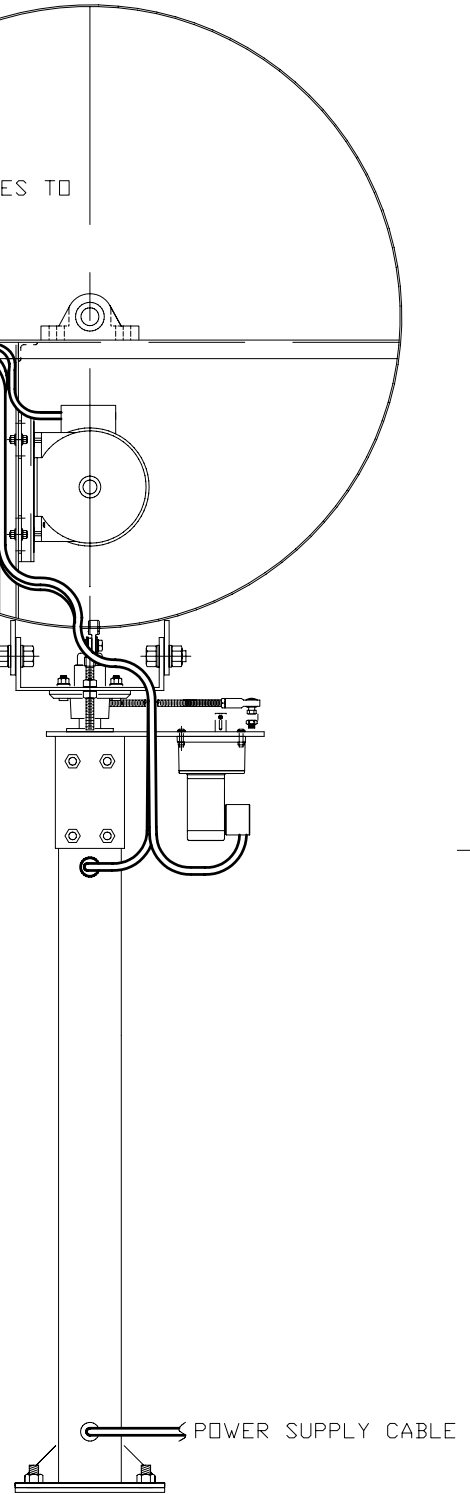
The Information contained in this drawing is the sole property of SubAir Systems, LLC. Any reproduction in part or as a whole without the written permission of SubAir Systems, LLC is prohibited

REAR OF FAN CONTROL ENCLOSURE SHOWN; SEPERATED FROM FAN HOUSING FOR ILLUSTRATION PURPOSES

SECURE CABLES TO FRAME



WIRE ROUTING FOR CONTROL BOXES MOUNTED ON FAN HOUSING



DRAWN BY: H.MURPHY	UNLESS OTHERWISE SPECIFIED MAXIMUM TOLERANCES ARE:	SubAir.
DATE: 5/24/07		
REVISED BY: H.MURPHY	FRACTIONAL	510 Bettis Academy Rd
DATE: 6/4/07	± 1/8	Graniteville, SC 29829
PRIMARY UNITS: ----	DECIMAL	(803) 641-6663
SCALE: N/A	.XX ± .01	Title: WIRE ROUTING DIAGRAM
QTY REQ: (X)	.XXX ± .005	---
MAT'L: ----		Dwg No. ###
FINISH: ----		